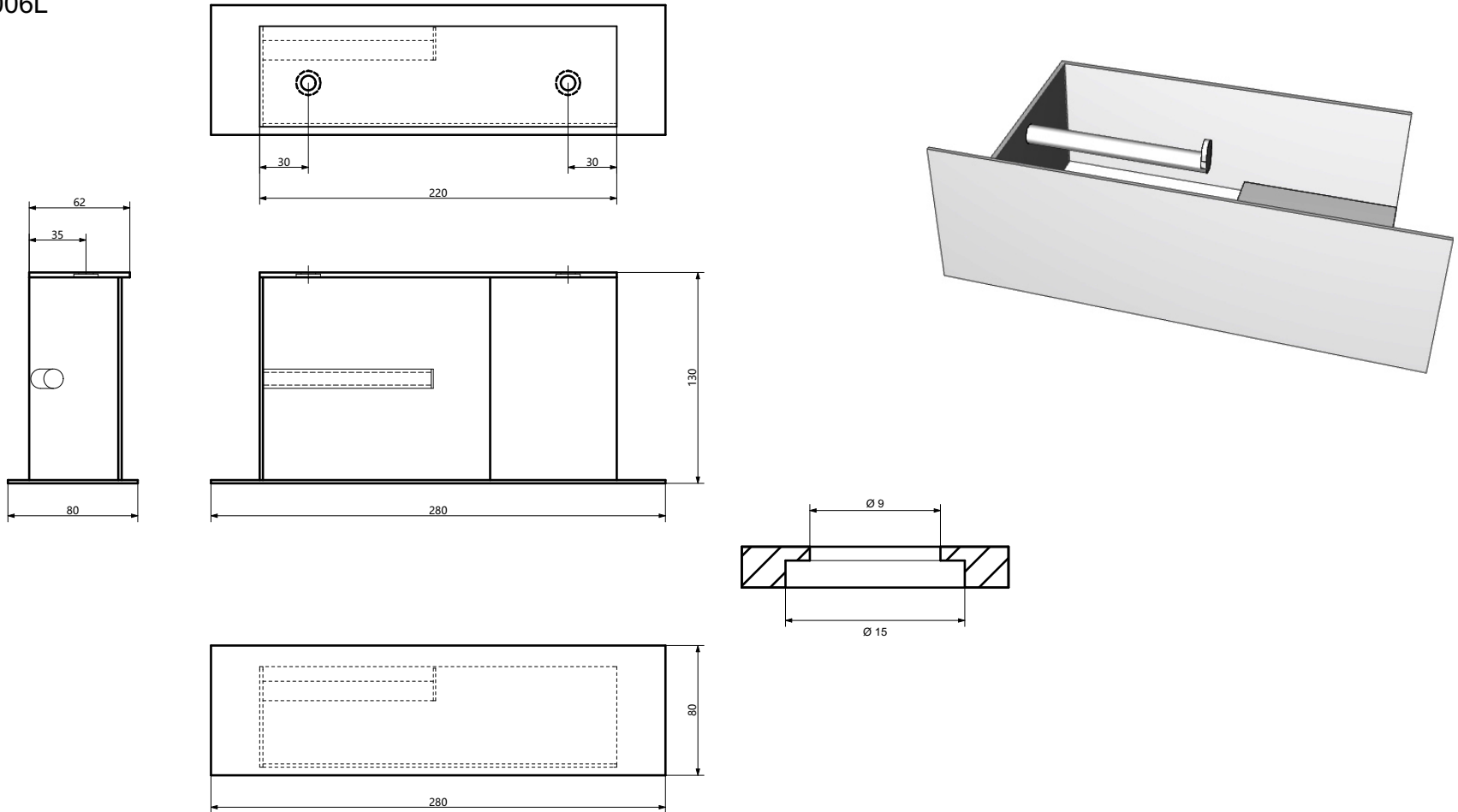


molteforme
toilet roll holder MA006L



	NAME	DATE	molteforme Kalisz 62-800 Wrocławska 59, Poland, t.790620620			
DRAWN	molteforme	31/10/2017				
CHECKED			TITLE			
ENG APPR			toilet roll holder MA006L			
MGR APPR						
UNLESS OTHERWISE SPECIFIED DIMENSIONS ARE IN MILLIMETERS			SIZE	DWG NO		
			A4			
			SCALE	WEIGHT	MATERIAL	SHEET 1 OF 1